

Automotive Work Stations Installation Instructions

—————IMPORTANT—————

PRODUCT LIABILITY INFORMATION

Read all instructions before proceeding with installation or drawer loading. Vital product information pertaining to proper set-up and cautions are included. Failure to follow these instructions may cause failure which may result in personal injury or property damage.

RETAIN THIS MANUAL FOR FUTURE REFERENCE

3002 N. Burdick Street

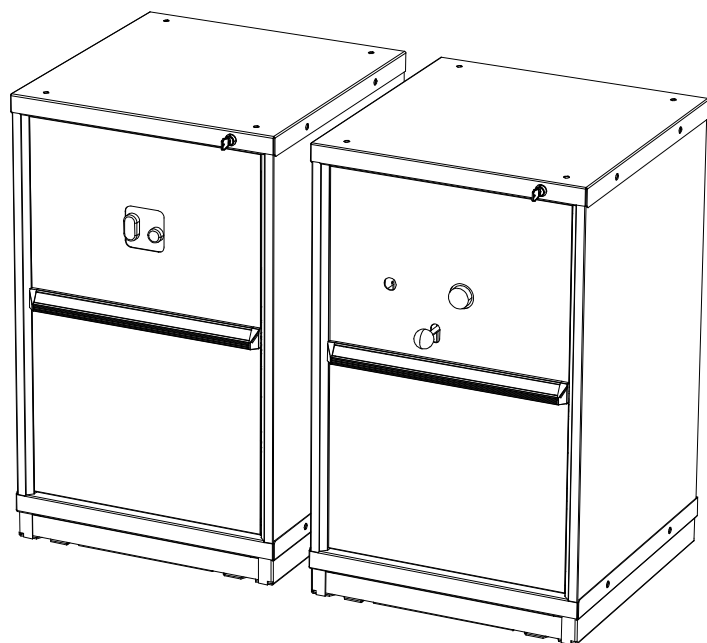
Kalamazoo, MI 49004

t: 800-748-0227 f: 269-342-4161

www.borroughs.com

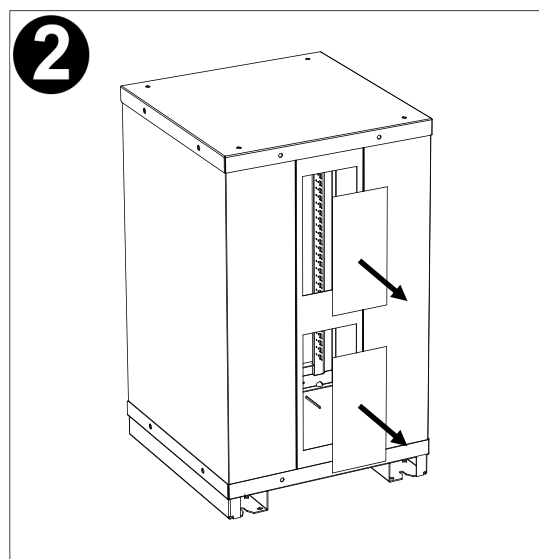
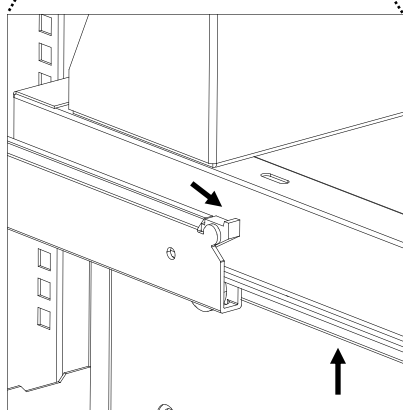
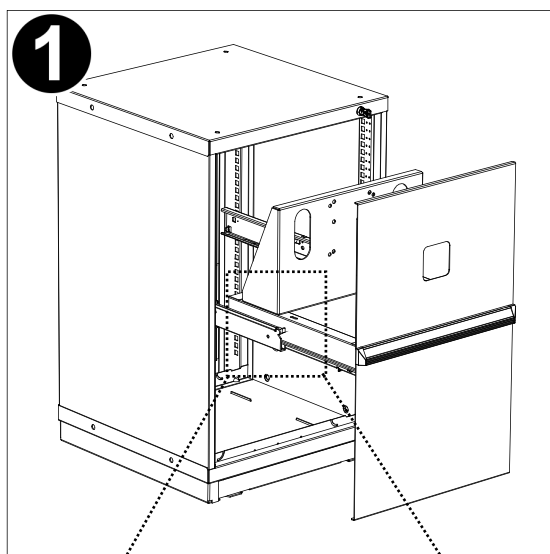


LIFT CABINET (ROTARY IN-BAY / CHALLENGER)

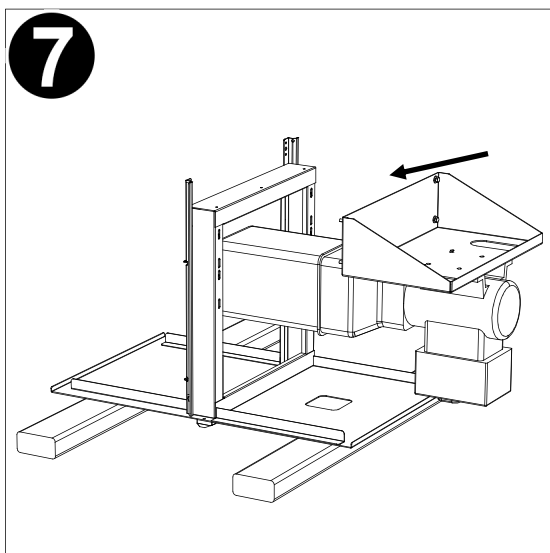
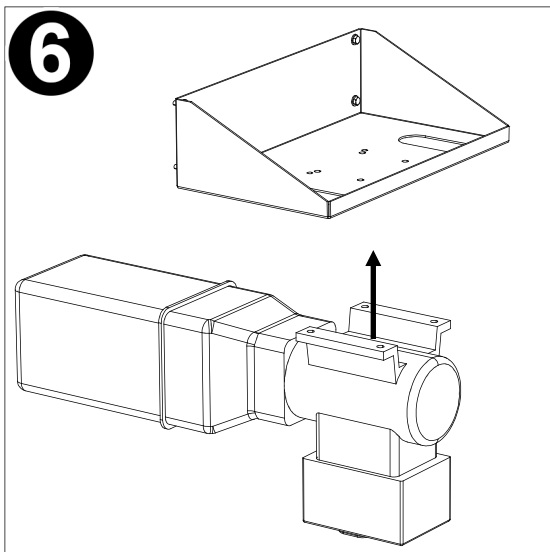
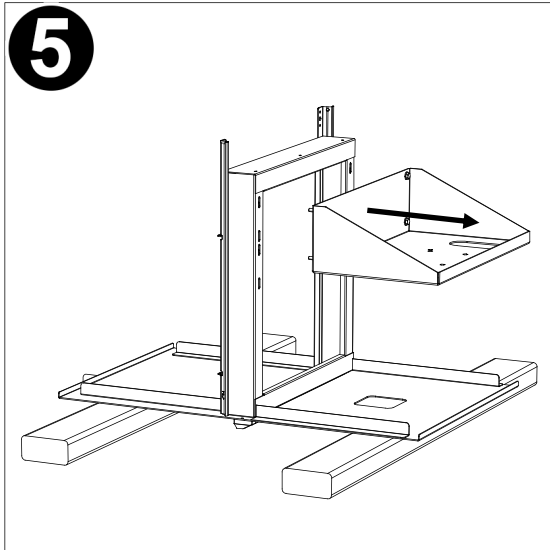


Note: Please refer to M1-INST-01 and M1-INST-09 for instructions on anchoring and linking cabinets.

- 1** Remove drawer from housing by releasing the safety clips on the slide profile and then lifting the drawer as you pull.
- 2** Using a steel cutting tool, remove the 6x12 inch access panel from the bottom or the rear of the housing depending on your installation requirements.
- 3** Move the housing to its permanent location and install anchors or link to adjacent cabinets.
- 4** Route all required utilities through the access hole into the housing.



LIFT CABINET (ROTARY IN-BAY / CHALLENGER)



Note: We recommend placing the drawer face-down on a pair of 2x4s while completing steps 5 and 7

- 5** Remove mounting plate from drawer assembly by unscrewing (4) 1/4-20 hex head nuts and bolts.
- 6** Attach mounting plate to the pump using the appropriate hole pattern and hardware provided with the pump.
- 7** Reattach mounting plate to the drawer assembly using hardware from step 5.
- 8** Reinstall drawer into cabinet housing by inserting the drawer slide profile into the middle slide profile and lifting the front as you close the drawer.
- 9** Make all utility hookups based on lift control manual.

