

Modular Drawer Cabinets Installation Instructions

—————IMPORTANT—————

PRODUCT LIABILITY INFORMATION

Read all instructions before proceeding with installation or drawer loading. Vital product information pertaining to proper set-up and cautions are included. Failure to follow these instructions may cause failure which may result in personal injury or property damage.

RETAIN THIS MANUAL FOR FUTURE REFERENCE

3002 N. Burdick Street

Kalamazoo, MI 49004

t: 800-748-0227 f: 269-342-4161

www.borroughs.com



DRILLING TEMPLATE

NOMINAL CABINET WIDTH	ACTUAL CABINET WIDTH	A
23 WIDE	22-13/16"	18-3/16"
30 WIDE	30"	25-3/8"
45 WIDE	45-3/16"	40-9/16"
60 WIDE	60-3/8"	55-3/4"

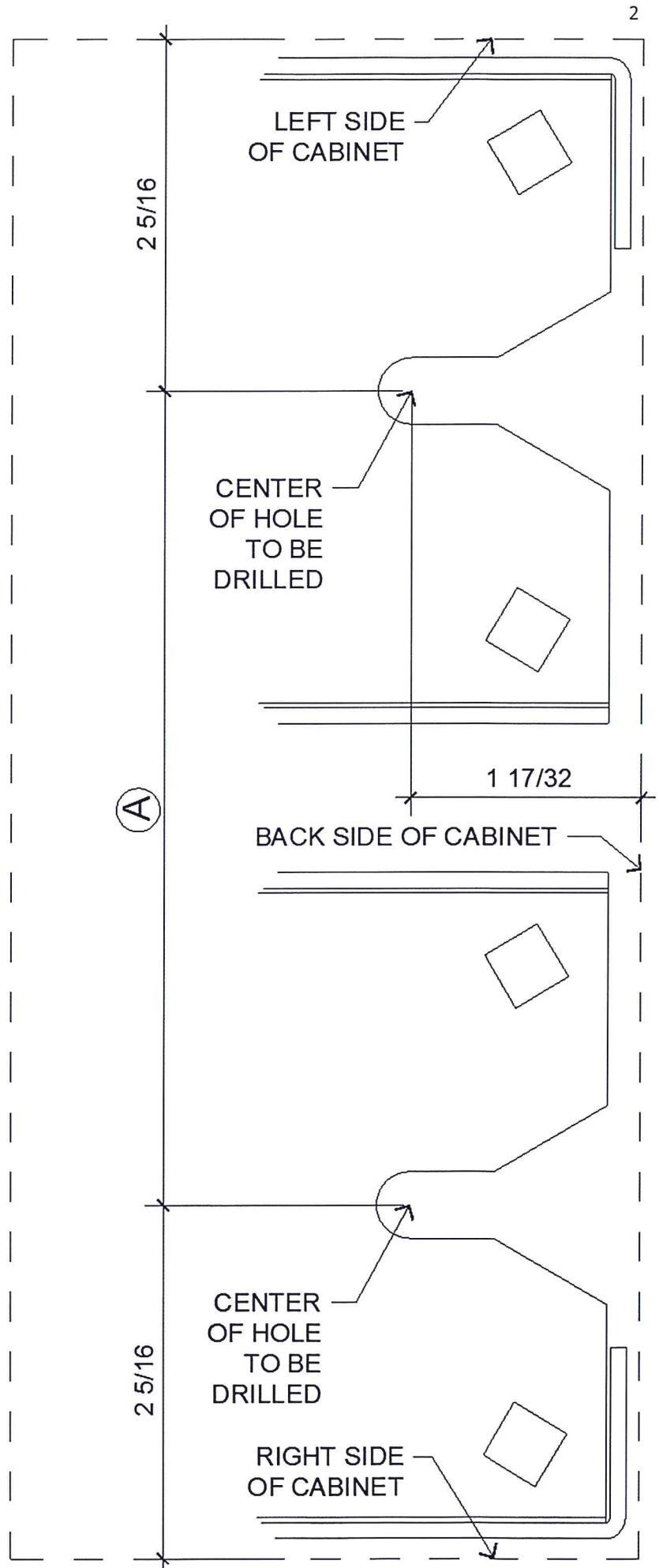
For concrete floors:

Drill (2) 3/8" diameter holes
2" deep

For wooden floors:

Drill (2) 1/4" diameter holes
1-3/4" deep

CUT ALONG DASHED LINE



3002 N. Burdick Street

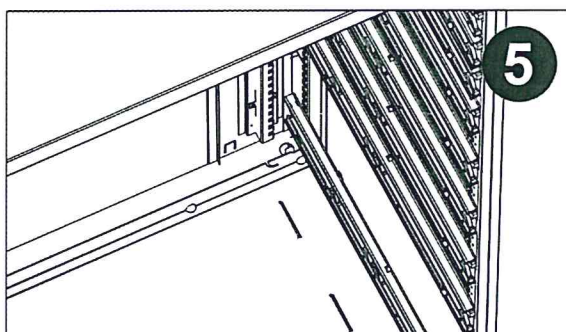
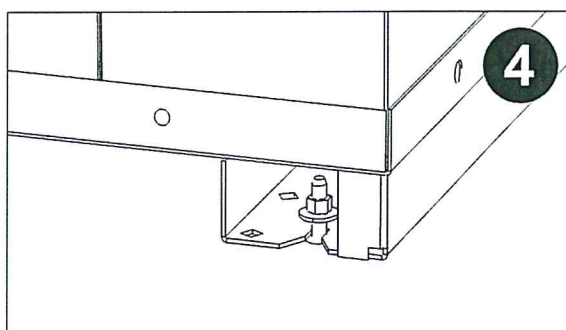
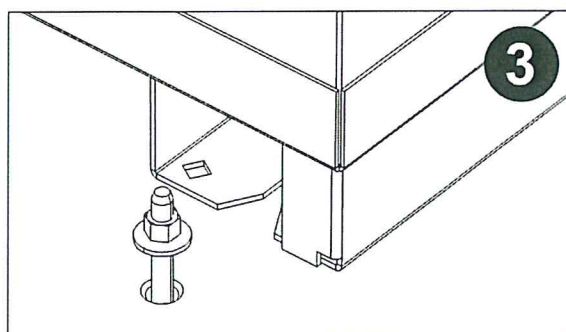
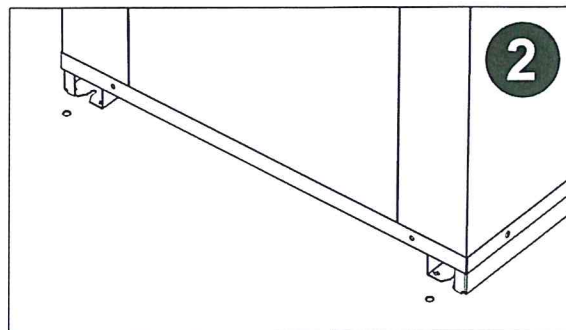
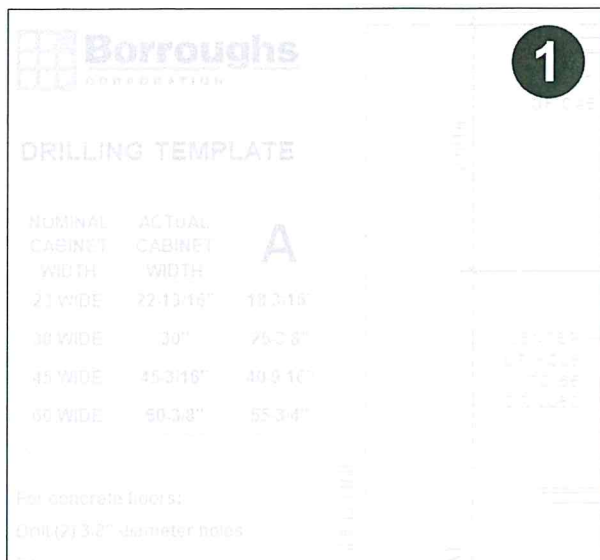
Kalamazoo, MI 49004

t: 800-748-0227 f: 269-342-4161

www.borroughs.com

Borroughs Document Number: M1-INST-01 Rev: —

MDC FLOOR ANCHORING



- 1** Cut out supplied paper template and layout hole locations. Please note, it is only necessary to floor anchor the rear of the cabinet.
- 2** Drill holes as specified on template.
- 3** Drop in floor anchors or thread lag bolts partially into the floor.
- 4** Push cabinet back, engaging hardware.
- 5** Remove bottom drawers, and from the inside of the cabinet, tighten hardware via access holes in bottom pan.

3002 N. Burdick Street

Kalamazoo, MI 49004

t: 800-748-0227 f: 269-342-4161

www.borroughs.com