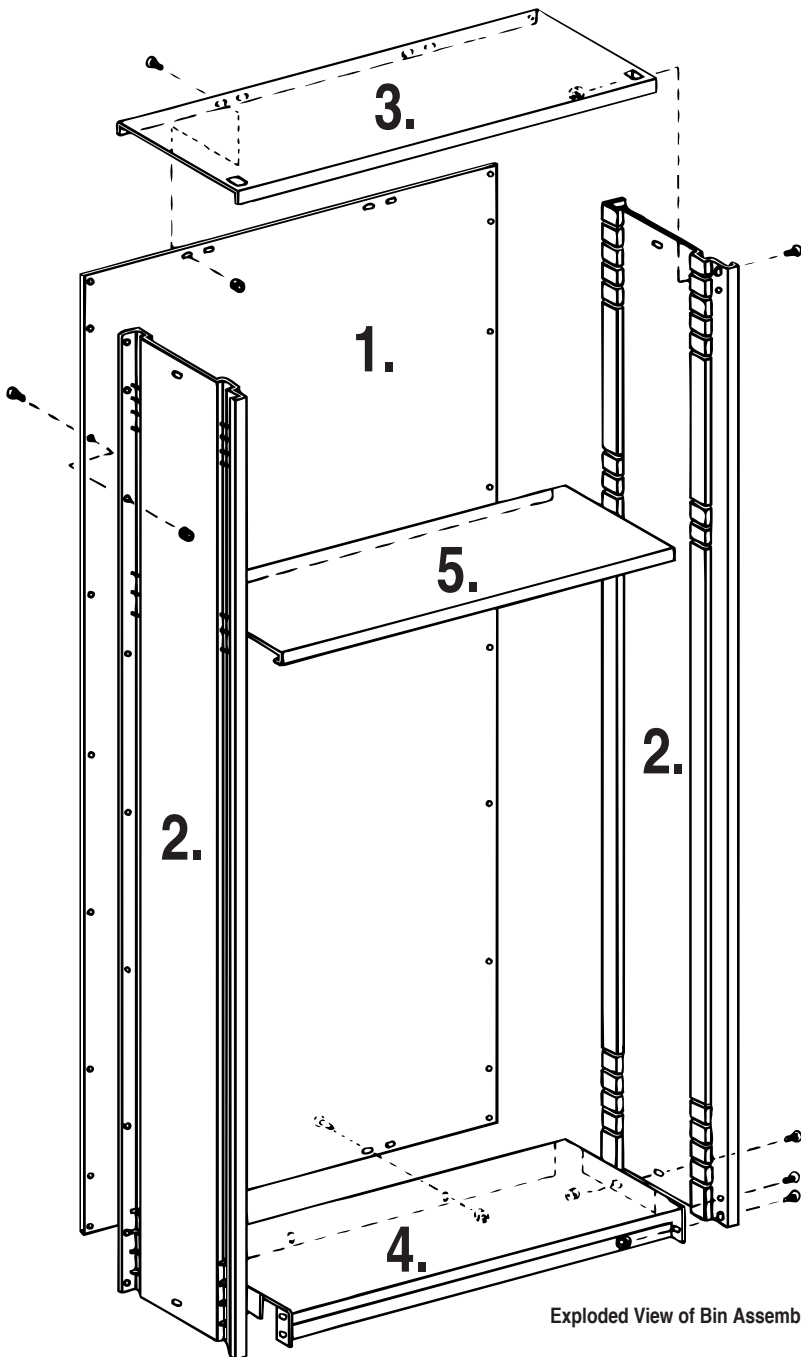


Flexi-Bin® Assembly Instructions

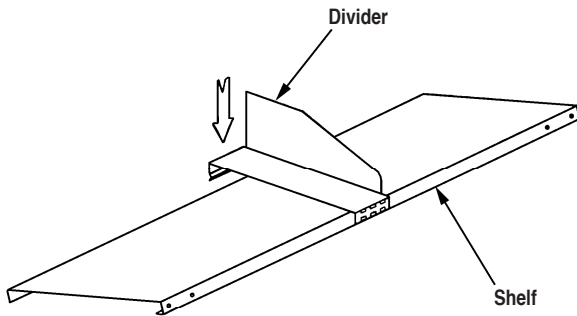


- 1.** Place bin back on workhorse or divider cartons.
- 2.** Attach uprights to back with eight (8) #10-24 x 3/8" screws on each side, starting at second hole from either end.
- 3.** Attach top with four (4) #10-24 x 3/8" screws at back and one (1) at each side near front. Tabs fit on outside of up-rights.
- 4.** Attach base with two (2) #10-24 x 3/8" screws at back and three (3) on each side.

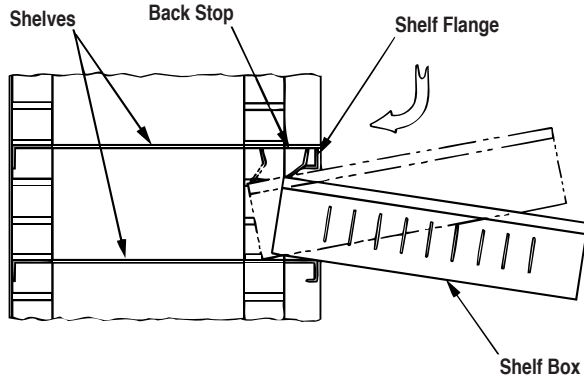
NOTE: The bin uprights are universal - lefts and rights are the same. An extra slot will appear on the top of one side and bottom of the other side. This is for production purposes only.

- 5.** Slide shelves into slots at desired heights, lifting up on front edge of shelf to permit front shelf lances to engage up-

Flexi-Bin® Accessories



6. Hook **DIVIDER** over front flange of shelf and snap down over rear flange. Divider can be moved from side to side. Divider design is protected by patent number



7. Shelves should be spaced at every third row of slots (4-1/2") for shelf boxes. Install **SHELF BOX** by tipping it so the back stop of box can be inserted under shelf flange. Back stop prevents box from being accidentally