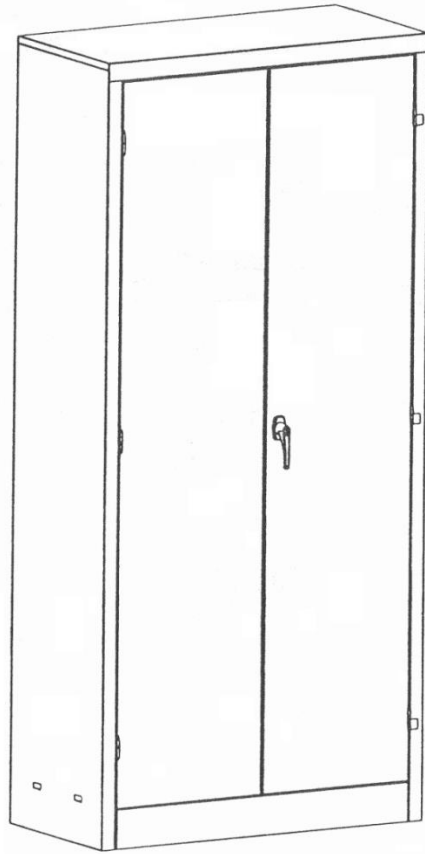




## STORAGE CABINET INSTALLATION INSTRUCTIONS



Borroughs Corporation  
3002 N. Burdick St  
Kalamazoo, MI 49004-3483  
P: 800-748-0027  
F: 269-342-4161  
[www.borroughs.com](http://www.borroughs.com)

29-50601-00  
February 2012

Cabinet Type	Part #	Description
Storage Cabinet	10870-000	78"H x 36"W x 18"D Storage Cabinet w/ four adjustable shelves
Storage Cabinet	10870-001	78"H x 36"W x 24"D Storage Cabinet w/ four adjustable shelves
Storage Cabinet	10870-004	72"H x 36"W x 18"D Storage Cabinet w/ four adjustable shelves
Storage Cabinet	10480-10	72"H x 36"W x 24"D Storage Cabinet w/ four adjustable shelves
Storage Cabinet	10842-00	42"H x 36"W x 18"D Storage Cabinet w/ two adjustable shelves
Storage Cabinet Combination	10870-02	78"H x 36"W x 18"D Storage Cabinet w/ center divider, four half width shelves and half width coat rod.
Storage Cabinet Large	JSD2476SU	78"H x 48"W x 24"D Storage Cabinet w/ By-Pass Doors and w/ four adjustable shelves
Storage Cabinet Wardrobe	10870-13	78"H x 36"W x 18"D Storage Cabinet w/ one full width shelf and full width coat rod.
Full Width Coat Rod	10899-08	36"W x 18"D
Full Width Coat Rod	10899-10	36"W x 24"D
Caster Base	10899-58	36"W x 18"D
Caster Base	10899-59	36"W x 24"D

## **Safety and Pre-Installation**

### **Before you start to assemble**

1. Read through the installation instructions prior to starting the project.
2. Understand all safety statements.
3. Make sure your cabinet will fit within the desired location.
4. Plan to assemble the cabinet in the area where it will be used. Once fully assembled, the cabinet may be difficult to move.
5. Have all the required tools for assembling the cabinet.

### **Required Tools Include:**

1. Phillips Screwdriver
2. Utility Knife



## **WARNING**

Wear eye protection and other applicable safety equipment while assembling your cabinet.

REMOVE ALL ITEMS FROM CARTON AND CHECK AGAINST THE FOLLOWING LIST:

**– PARTS LIST –**

Item	Description	Required
1	Back	2
2	Side Panel RH	1
3	Side Panel LH	1
4	Base Strip	1
5	Base Shelf	1
6	Top	1
7	Door RH	1
8	Door LH	1
9	Shelf	4
10	Throw Bolt	2
11	Hardware Pack	1

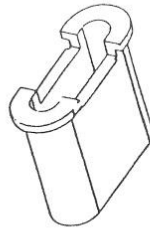
REMOVE ALL ITEMS FROM HARDWARE PACK AND CHECK AGAINST THE FOLLOWING LIST:



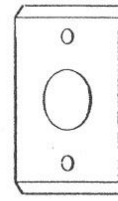
**Item 12**  
Handle  
(1) Req'd.



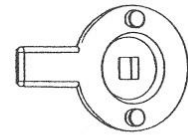
**Item 13**  
Shelf Clip  
(8) Req'd.



**Item 14**  
Throw Bolt Guide  
(2) Req'd.



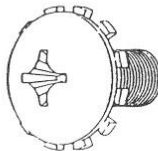
**Item 15**  
Handle Reinforcement  
(1) Req'd.



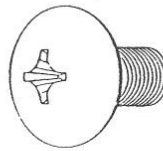
**Item 16**  
Cam  
(1) Req'd.



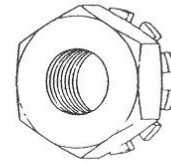
**Item 17**  
Push Clip  
(1) Req'd.



**Item 18**  
8-32 x 5/16 Sems Screw  
(2) Req'd.



**Item 19**  
10-24 x 3/8 Phillips Head Screw  
(34) Req'd.



**Item 20**  
10-24 Kep Nut  
(34) Req'd.

Item #	Part #
Item 12	10040-00
Item 13	10030-00
Item 14	10054-00
Item 15	10031-00
Item 16	06303-00
Item 17	10042-00
Item 18	10053-00
Item 19	07784-00
Item 20	07740-00



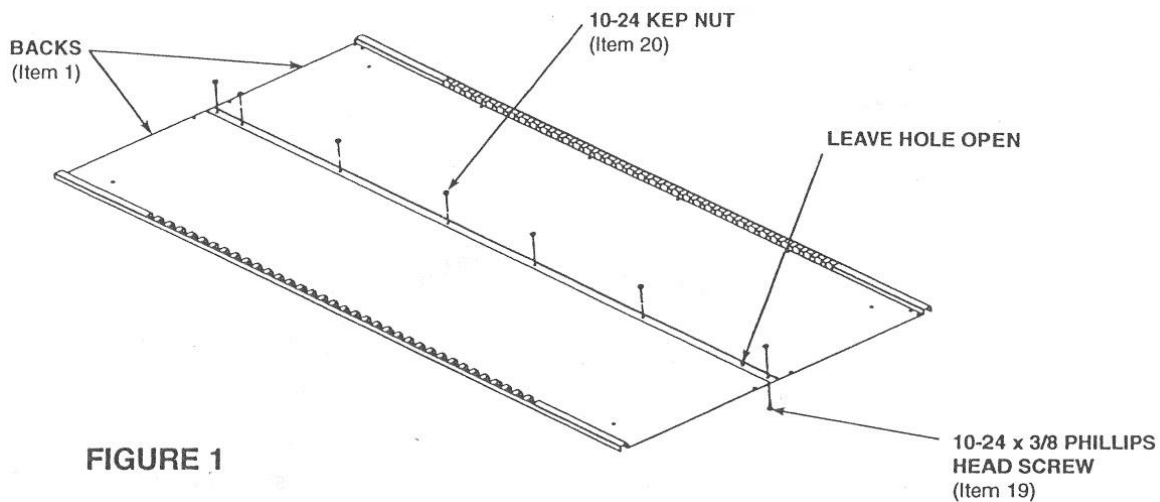
## Important

Do not stand backs upright or lean them against a wall. Backs should always lay flat (until they are attached to the side panels). Failure to do so will result in damage to the backs.

**For Steps 1-5:** Hardware need only be finger tightened

### STEP 1: Back Assembly

Place the two (2) backs (Item 1) on a flat surface with the slots facing up. Overlap the backs in the middle so that the eight (8) holes in each back are aligned. Secure the backs together using seven (7) 10-24 x 3/8 Phillips head screws (Item 19) and seven (7) 10-24 Kev nuts (Item 20). The hole second from the bottom should be left open for base shelf attachment. See Figure 1.



## STEP 2: Side Panel Assembly

Place the slotted side of the back inside the rear flange of the side panel RH (Item 2). The lances should be positioned at the bottom of the cabinet. Align the six (6) holes in the side panel with the holes in the back and secure together with six (6) 10-24 Kep nuts (Item 20). See Figure 2. Repeat procedure for side panel LH (Item 3).

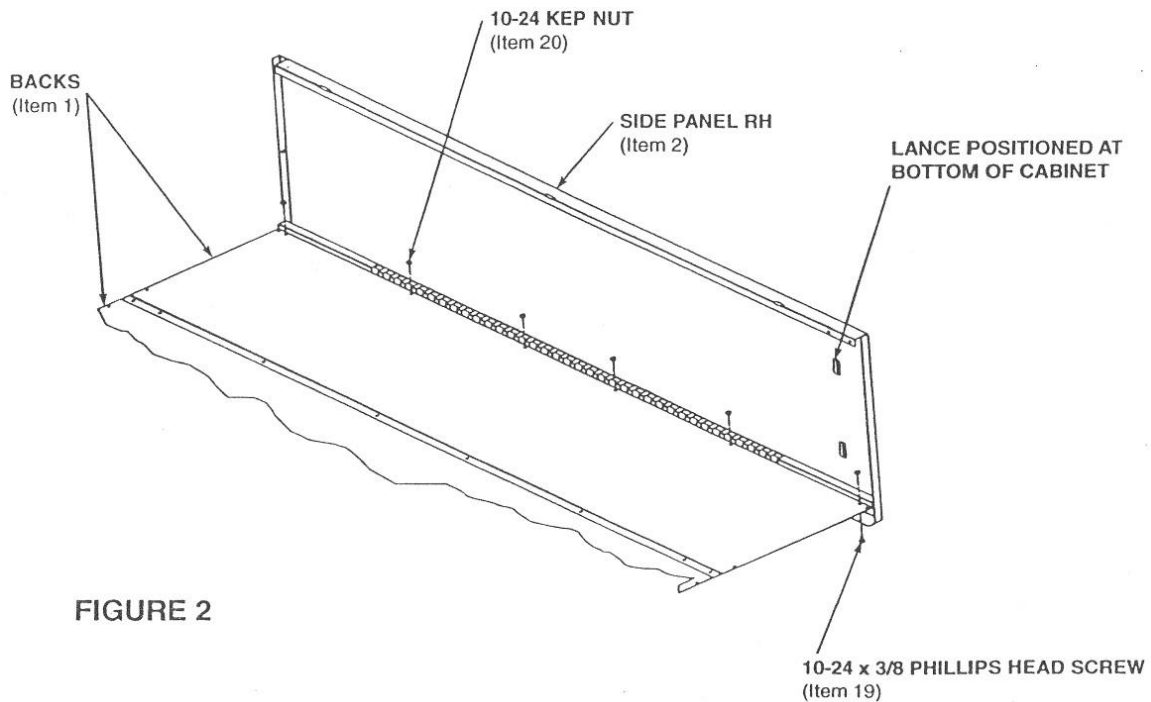


FIGURE 2

## STEP 3: Base Strip Assembly

Place the base strip (Item 4) between the side panels so that the two slots in the top flange of the base strip face toward the top of the cabinet. Align the slots in the side flanges of the base strip with the holes in the side panels. Secure together with four (4) 10-24 X 3/8 Phillips head screws (Items 19) and four (4) 10-24 Kep nuts (Item 20) each side. See Figure 3.

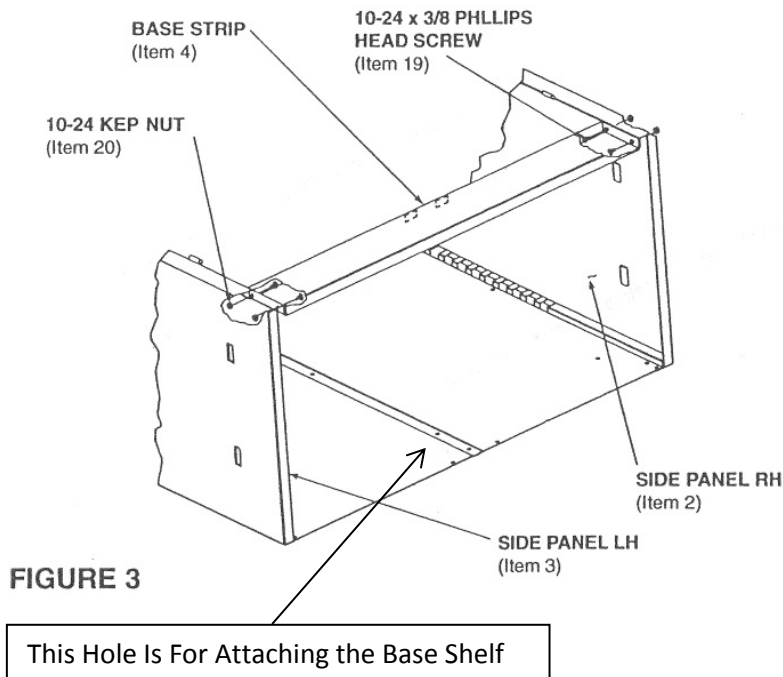


FIGURE 3

## STEP 4: Base Shelf Assembly

Insert the base shelf (Item 5) into the unit and slide it into place. Lock the base shelf into the lances at the bottom of each side panel and align the three (3) slots on rear flange of shelf with the three (3) holes in the back. Secure together with three (3) 10-24 X 3/8 Phillips head screws (Item 19) and three (3) 10-24 Kep nuts (Item 20). See Fig. 4.

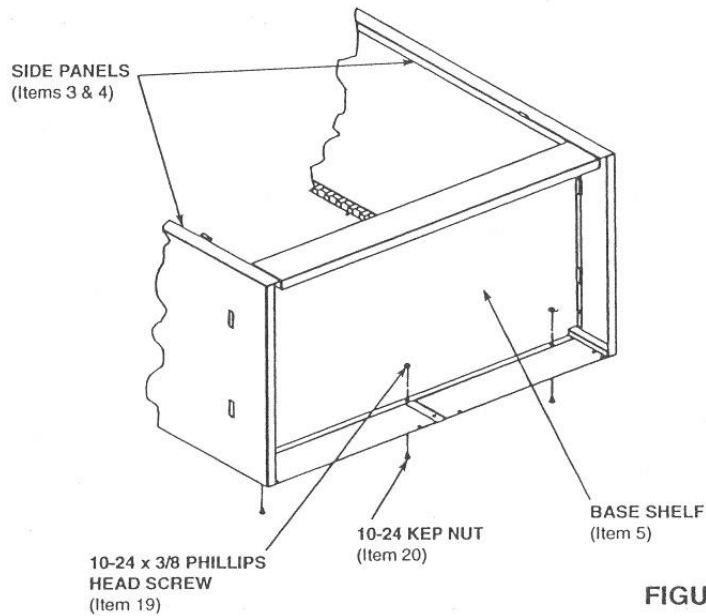


FIGURE 4

## STEP 5: Top Assembly

Slide the top (Item 6) over the back and onto the side panels. Secure together with ten (10) 10-24 x 3/8 Phillips head screws (Item 19) and ten (10) 10-24 Kep nuts (Item 20) – three (3) on each side panel and four (4) along the back. See Figure 5.

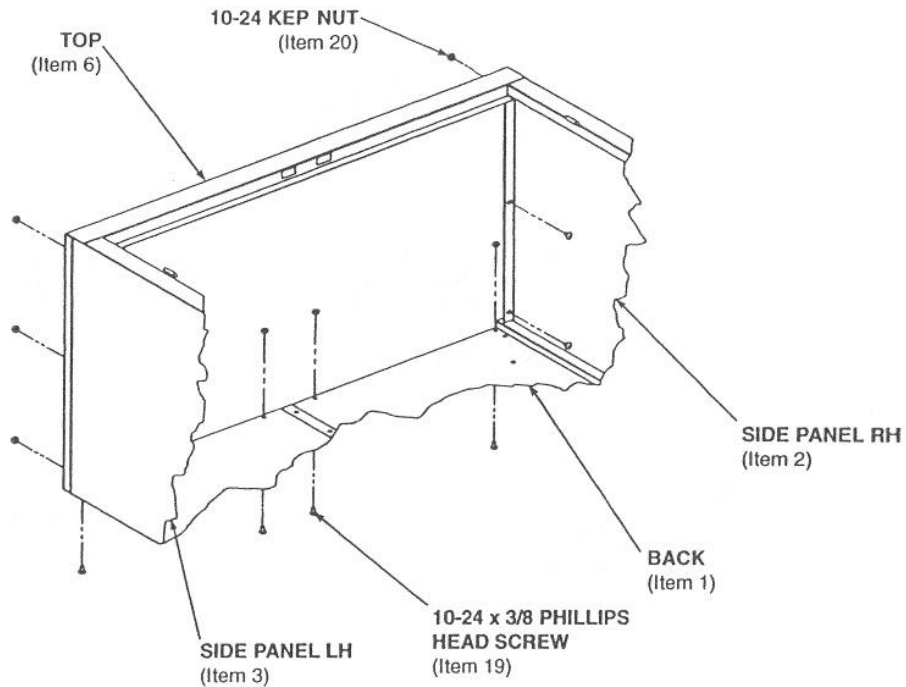


FIGURE 5

Tighten all screws and stand unit upright.

## STEP 6: Door Assembly

Insert the hinge pins in the door RH (Item 7) into the hinge holes on the side panel RH (Item 2). Repeat for door LH (Item 8). Insert throw bolt guide (Item 14) into the slot on the top and bottom flanges of door RH. See Fig. 6.

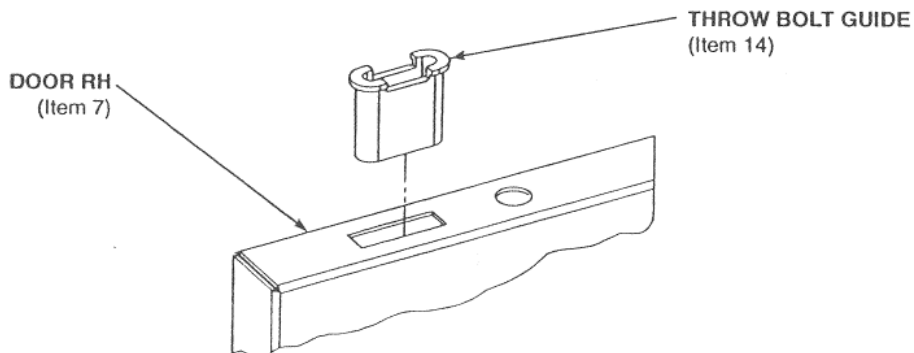


FIGURE 6

## STEP 7: Handle Assembly

Assemble the following parts and hardware to the door RH (Item 7). See Figure 7. The throw bolts (Item 10) must be inserted in the throw bolt guides (Item 14) in the top and bottom of the door RH. The cam extension needs to be inserted into the lock slot of door RH. Push clip (Item 17) should be pushed onto the handle shaft as far as possible.

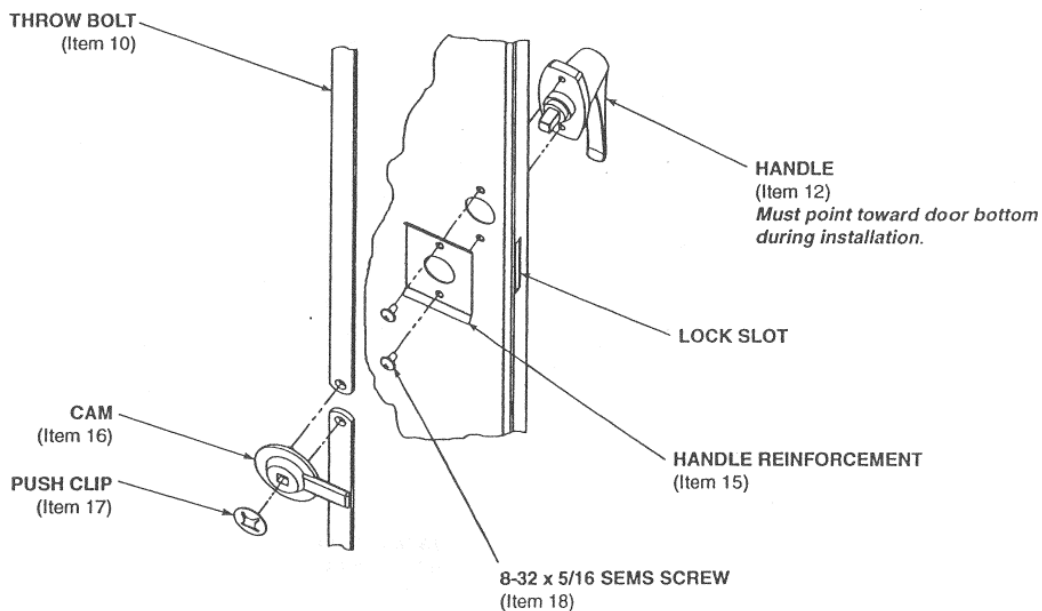


FIGURE 7



### Caution

Extreme care should be used when positioning the handle assembly. Removal after assembly is difficult and damage to the handle mechanism could result..



## STEP 8: Shelf Clip Assembly

Insert shelf clip (Item 13) into holes inside front of unit. See Figure 8. Two clips are required per shelf, one in each side of the unit.

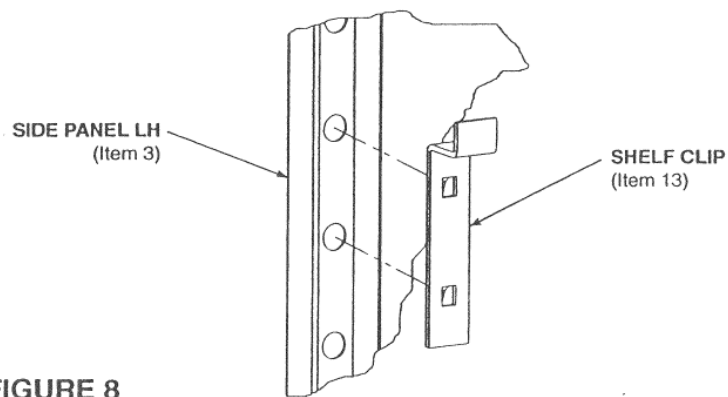


FIGURE 8

## STEP 9: Shelf Assembly

Insert shelves (Item 9) into the notches in the back (Item 1) and drop onto shelf clips (Item 13). See Figure 9.

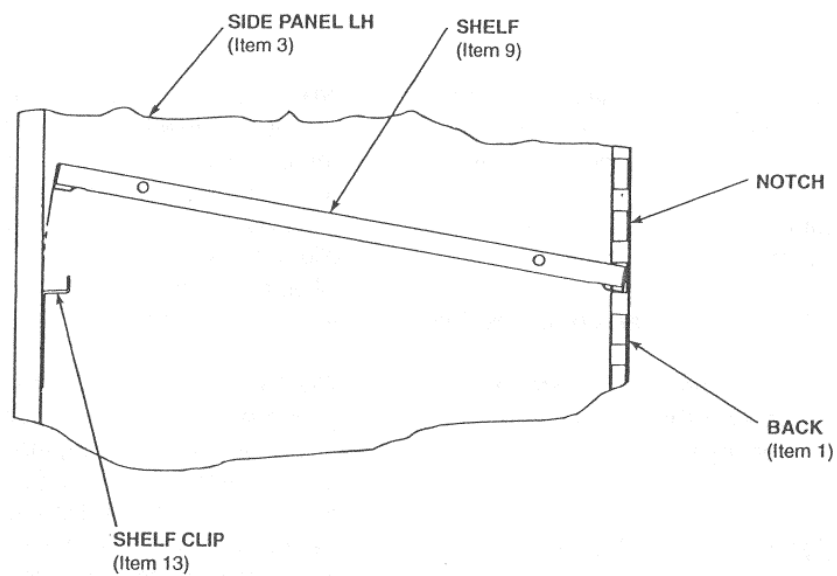
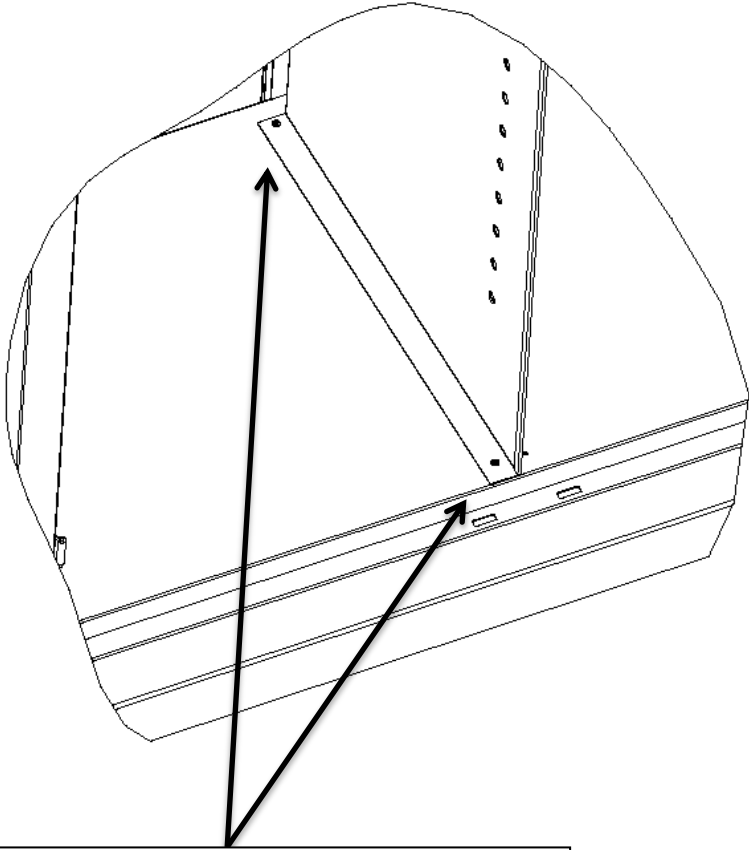


FIGURE 9

Move cabinet into storage area. Load evenly.

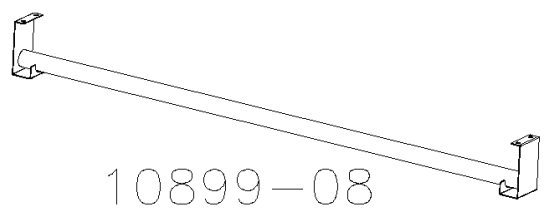
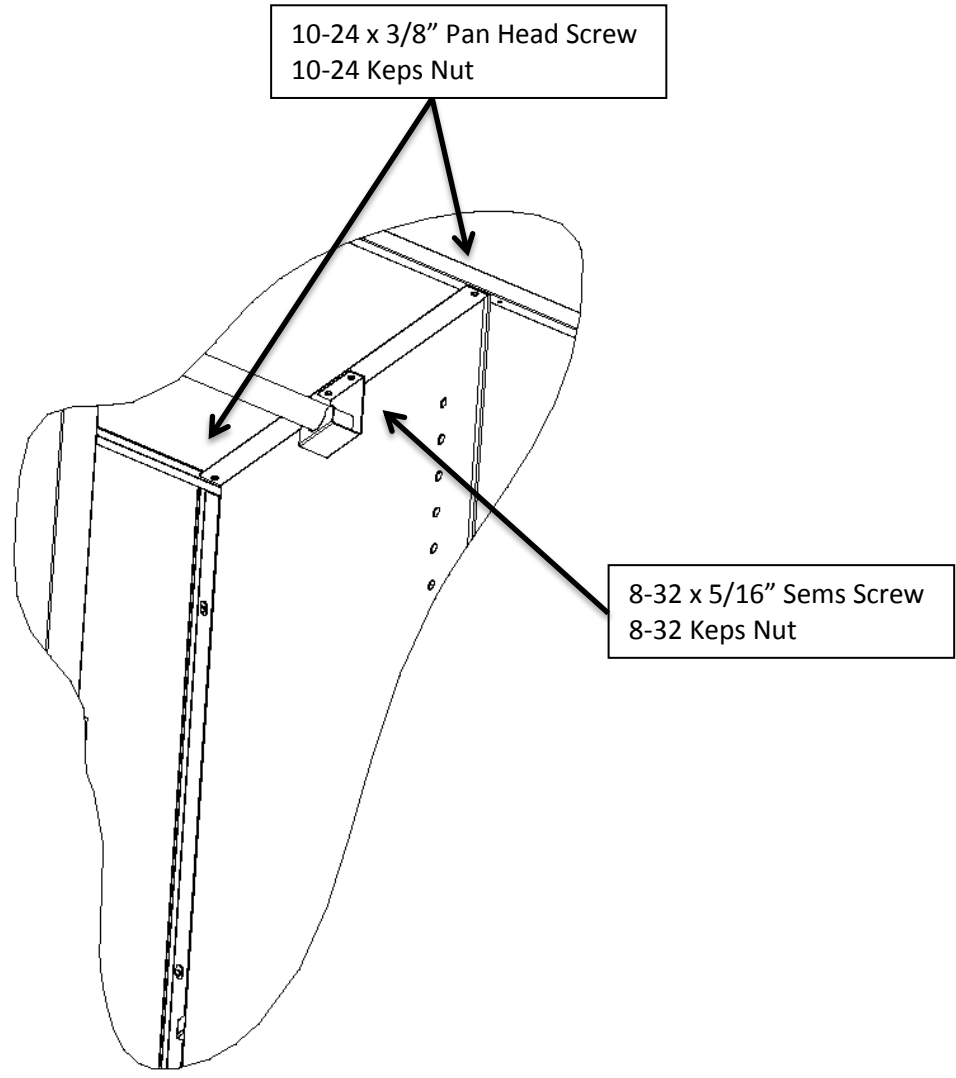
## STEP 10: Center Divider



#14 Hex Head Self Drilling Screw #00950-02

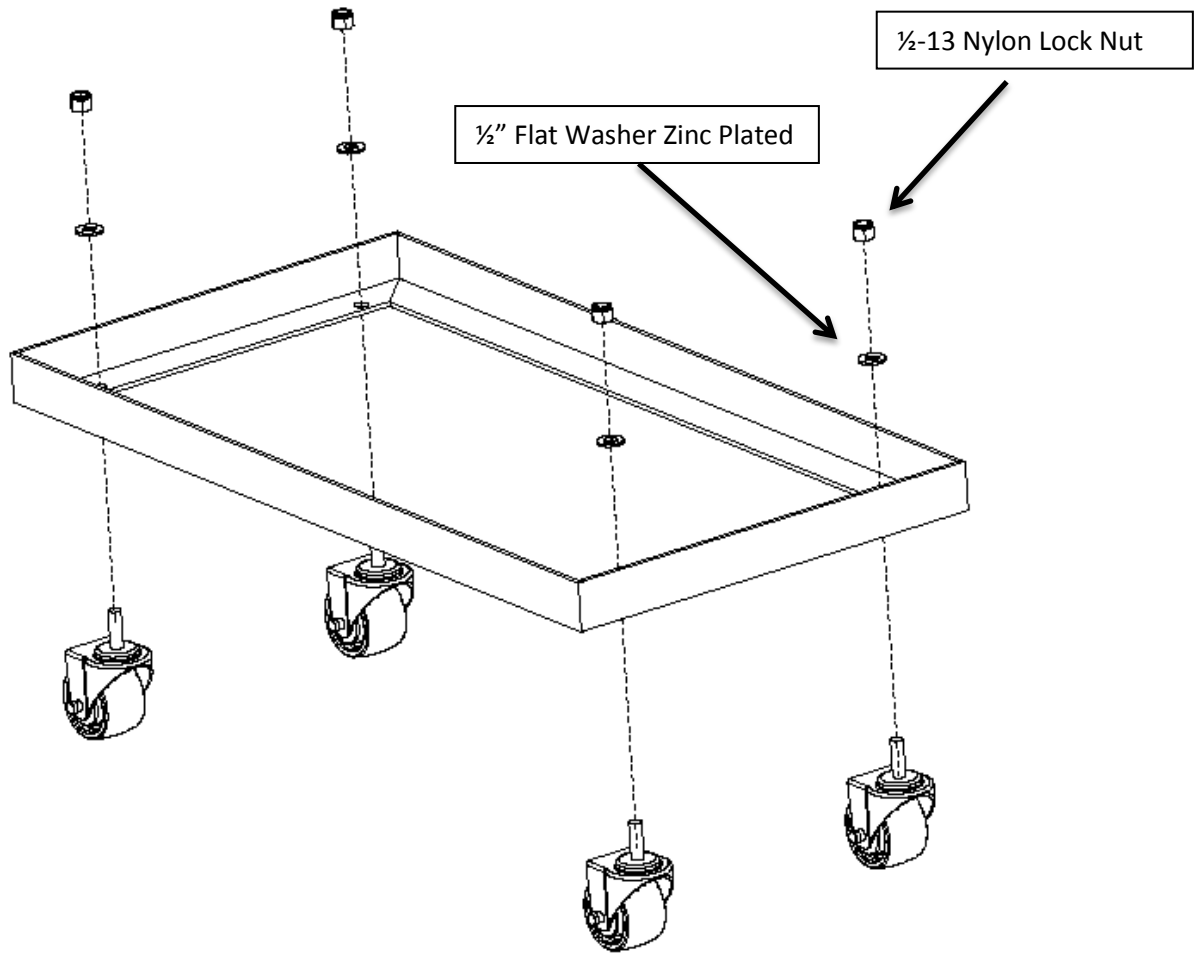
# COAT ROD KIT

## STEP 1:



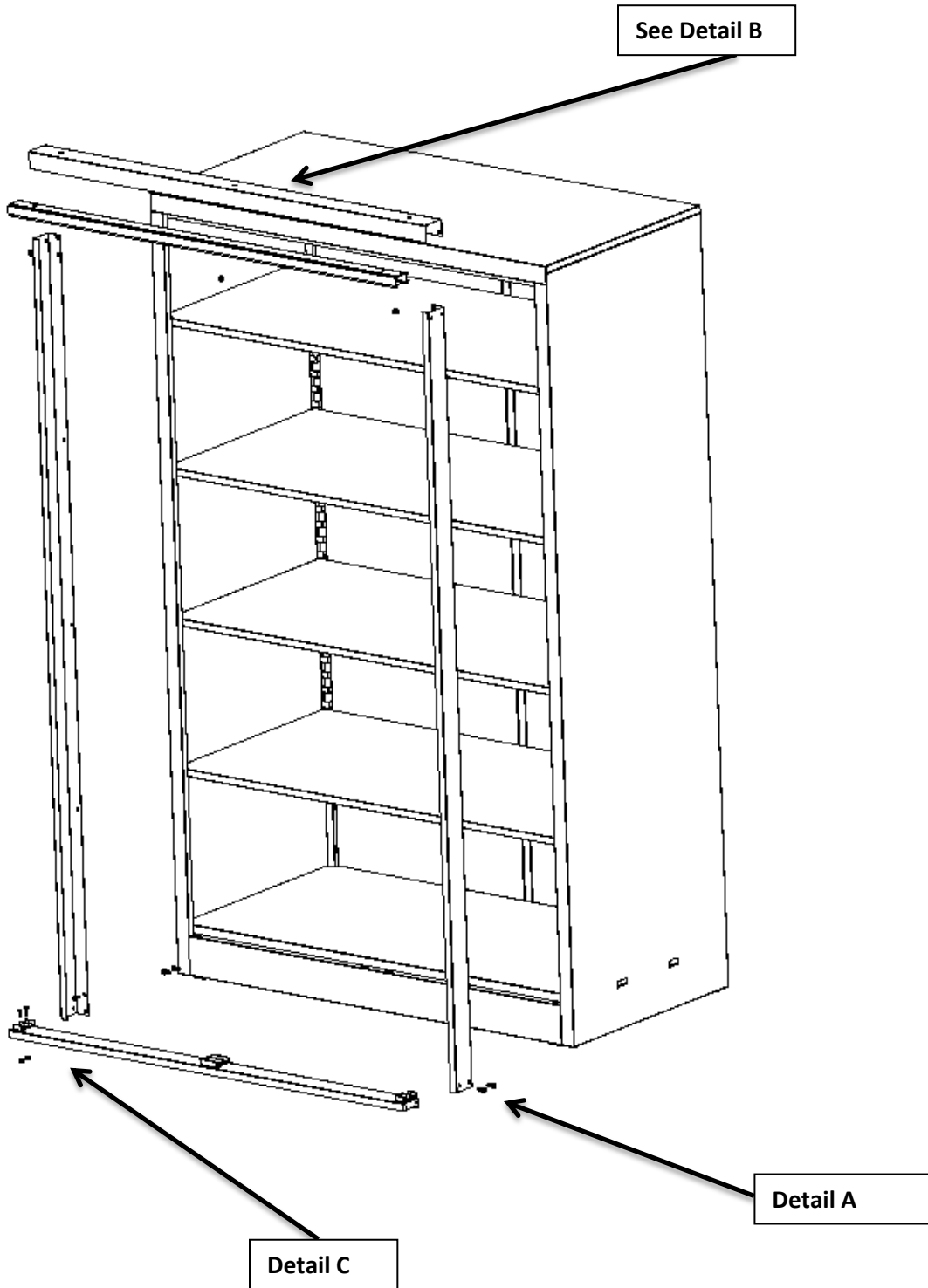
# CASTER BASE

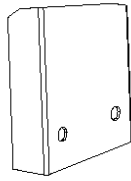
## STEP 1:



# JUMBO CABINET

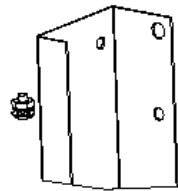
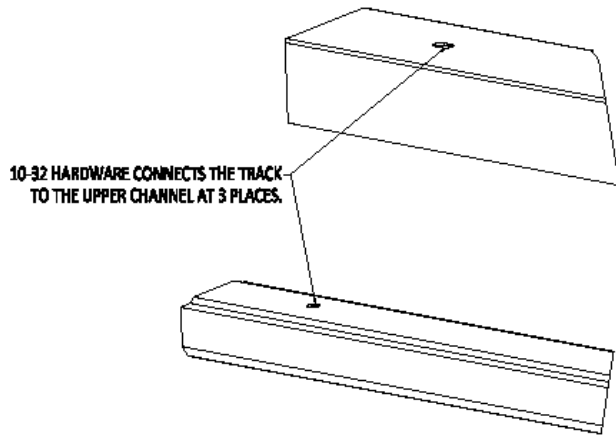
## STEP1:





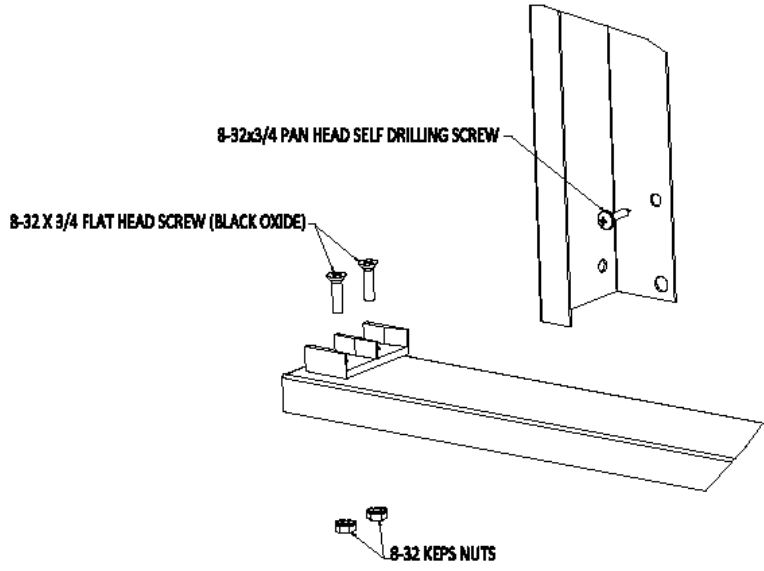
#14 HEX HEAD SELF DRILLING SCREW

Detail A



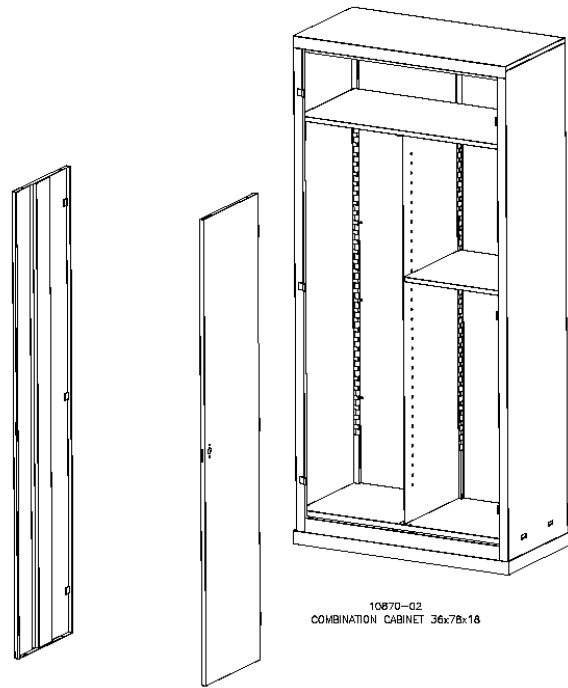
Detail B

Detail C



**COMBINATION CABINET**

**View 1:**



# RTA STORAGE CABINETS

## – General Specifications –

**DESIGN:** RTA Storage Cabinets shall be top-quality steel construction, suitable for general purpose storage. Cabinets shall have a 3-point locking system.

RTA design shall allow KD shipment and easy assembly with minimum of tools and hardware.

RTA cabinets shall be available in both standard and custom colors. Lock options shall be available for random keying and master keying.

### **DIMENSIONS:**

<u>Height</u>	<u>Depths</u>	<u>Width</u>
78"	24"	36"
78"	18"	36"
78"	24"	48"
72"	24"	36"
72"	18"	36"

### **DETAIL MANUFACTURING SPECIFICATIONS:**

**CASE:** Frames are notched on 1-1/2" increments to accept shelf clips for shelf mounting and also notched to accept 3-point locking system.

Side panels are 20 gauge steel and offset in front for a flush appearance with door. Backs are 22 gauge steel with formed-in notches to accept shelves on 1-1/2" increments.

Tops are 18 gauge steel box-formed with furniture-style corners for appearance. Tops bolt to rear of unit and are held in place by the door frame in front.

Base shelves form the bottom of the case. These are 18 gauge steel, with downward flanges on all four sides for strength.

**SHELVES:** All shelves have 150 lb. of evenly distributed load capacity. All are adjustable on 1-1/2" increments. Actual shelf depth is 17-1/32". Shelves mount at rear on slotted back panels without tools or brackets. Four (4) shelves are supplied with each unit. Shelf clips are used to mount shelves to door frame at front. Clips are 14 gauge steel. Two (2) clips provided with each shelf ordered.

**DOORS:** Doors are 20 gauge steel attached to 20 gauge cabinet sides. Entire frame assembly bolts to face of the unit. Doors are pairs, two doors per cabinet. Door operates on three (3) hinges per side. Hinges are welded on doors. Door handle is standard 3-point design. Locking is achieved by means of upper and lower throw bolts with a center cam, all activated by one handle.

**FINISH:** All parts are thoroughly cleaned, neutralized, given a light etch for good adhesion and a phosphate coating. Finish coats of select paint and color are electrostatically applied with hybrid powder (epoxy and polyester resins), then baked on at a temperature of approximately 350°F.

**COLOR:** Color to be selected from manufacturer's standard color chart.

**ACCESSORIES:** Coat Rod Kit, Caster Base

**WARRANTY:** Manufacturer shall extend the original purchaser from the date of purchase a five-year limited warranty against manufacturing defects in material and workmanship.



**NOTICE:**

The following is the only warranty applicable to the products: the manufacturer warrants that the products are free from defects in material or workmanship when installed, used and serviced in accordance with the manufacturer's recommendations. The manufacturer's only obligation under this warranty shall be to replace any product, which is defective in materials within one year or defective in workmanship within ninety days, from the date of installation. THE FOREGOING WARRANTY IS EXPRESSLY IN LIEU OF ALL OTHER WARRANTIES, EXPRESS OR IMPLIED, INCLUDING ANY WARRANTIES OF MERCHANTABILITY OR FITNESS FOR PURPOSE. The manufacturer shall not be liable for any loss or damage, direct or indirect, resulting from the use or loss of use of the product. This warranty may not be changed except by a written agreement signed by an officer of the manufacturer.

Borroughs Corporation

3002 N. Burdick St

Kalamazoo, MI 49004-3483

P: 800-748-0027

F: 269-342-4161

[www.borroughs.com](http://www.borroughs.com)

Specifications subject to change.

#672-017-01