

RECORD MASTER® CASE-STYLE SHELVING HINGED PERIODICAL SHELF INSTALLATION INSTRUCTIONS

GENERAL INFORMATION:

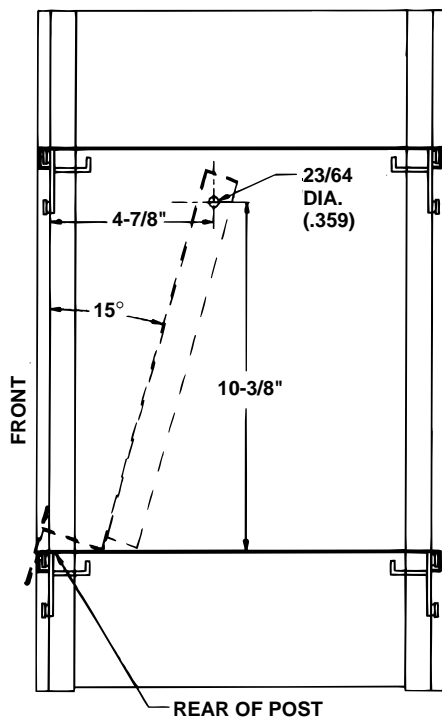
Hinged Periodical Shelves should be installed after standard shelves on new installations. Note 12" shelf spacing as shown below.

MATERIALS REQUIRED:

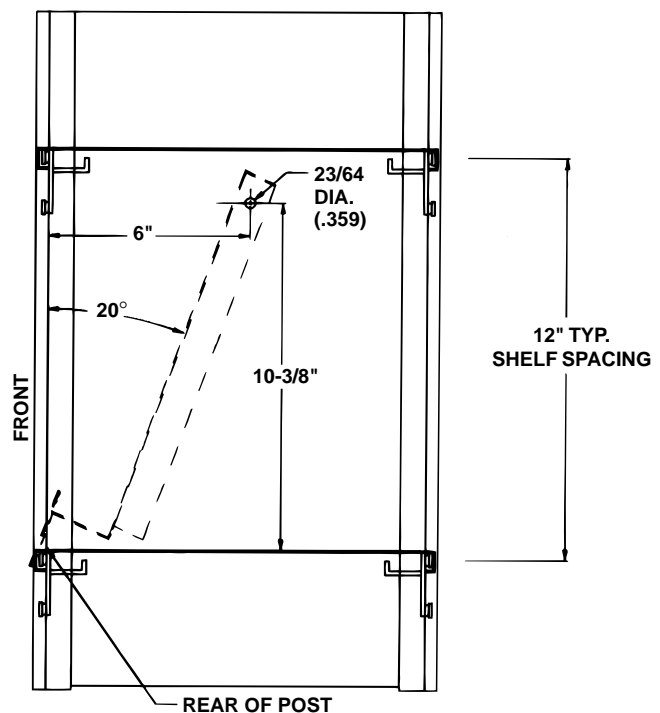
1. Electric drill and 23/64 drill bit
2. Awl or scribe
3. Template
4. Hinged Periodical Shelf Assembly

INSTALLATION SEQUENCE:

1. Determine slope desired; 15° or 20°. Fifteen degrees is typically standard. Locate correct hole on template and mark.
2. Put template on inside panel of upright to mark holes for installation.
3. Mark hole location with awl or scribe on inner panel. Repeat on opposite inner panel.
4. Drill 23/64 (.359) dia. hole in each panel, using mark as center.
5. Position periodical shelf with lip forward. Place end of rod into hole on one side. From back side of Periodical Shelf push rod until spring compresses and allows opposite end of rod to clear inside edge of panel. Position rod at second drilled hole and insert.
6. Place "Peel and Stick" transparent bumpers on back side of Periodical Shelf where it makes contact with front edge of flat shelf. NOTE: Bumpers reduce noise and paint wear.



15 DEGREE SLOPE



20 DEGREE SLOPE