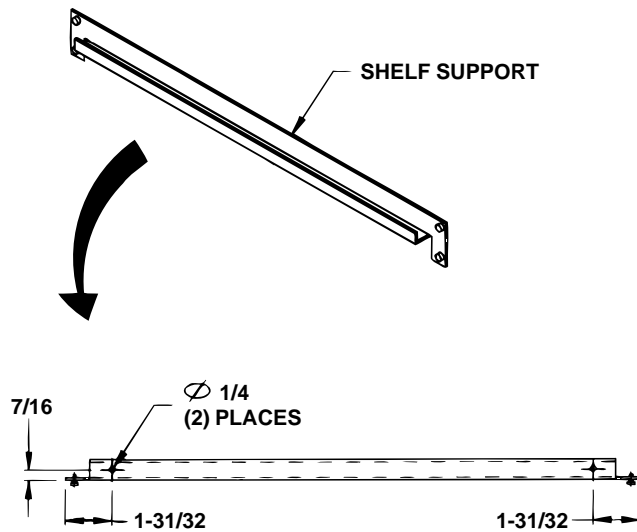


SHELF SUPPORT DRILLING INSTRUCTIONS

1. On each shelf support, mark (2) hole locations.
2. Drill (2) 1/4" holes in each shelf support.



WITH SHELF SUPPORT BOTTOM SIDE UP - MARK AND DRILL HOLES.

BORROUGHS CORPORATION

3002 N. BURDICK STREET • KALAMAZOO, MI 49004-3483
800-748-0227 • FAX: 616-342-4161 • CANADA: 800-968-0162
VISIT OUR WEB SITE AT: www.borroughs.com

53-50528-00A
MARCH 2000